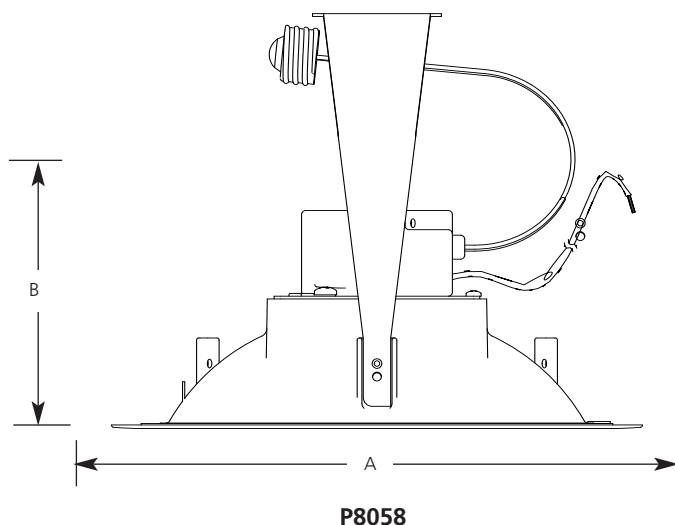
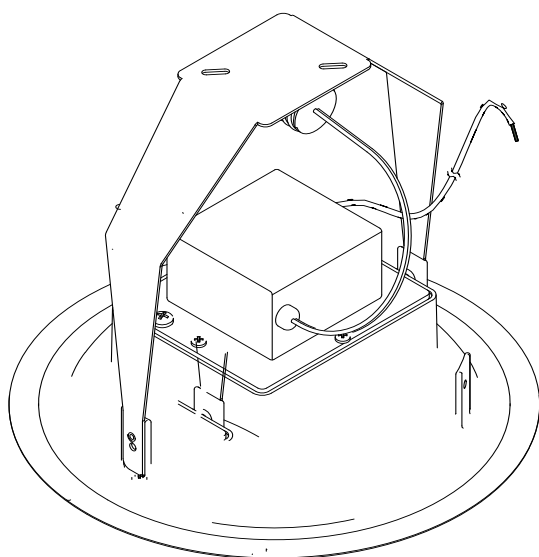


Type _____
 -30
 P8058

Catalog No.	Finish White	Dimensions (Inches)	
		A	B
P8058	-30	7-3/4	6



For us with the following Housings

- P87AT
- P87ATQC

Specifications:

Trim Assembly

- White powder coat painted finish
- Removable trim ring can be painted to match ceiling
- Frosted acrylic lens provides a 120 degree beam spread
- Trim-Lok[®] action forces trim to fit snugly against ceiling
- No light leaks around trim flange
- Die cast construction

Lamping

- LED (Light Emitting Diode) Lamps included
- LED module is held in place with two screws and is replaceable
- Consumes 15 watts
- 2750K color temperature

- +40 LPW LED sources produce a total of over 675 Lumens
- 30,000+ hrs life
- Lamp contains no mercury, meets Calif. Title 22
- Meets California Title 24 high-efficacy requirements

Electrical

- Integral transformer
- Medium base on trim attaches to housing socket
- Dimmable using standard incandescent dimmers
- 120v input

Labeling

- UL-CUL listed

Progress Lighting
 Post Office Box 5704
 Spartanburg, South Carolina
 29304-5704

REPORT NUMBER: 1447
 PREPARED FOR: Progress Lighting
 CATALOG NUMBER: P87-AT/8058-30
 LUMINAIRE: 6" RECESSED/DOWNLIGHT
 LAMP: 1-9 LED ARRAY/15 WATT
 BALLAST: BL25-120-DIM PERMLIGHT
 MOUNTING: VERTICAL
 REPORT IS BASED ON 600 LUMENS PER LAMP.

DATE: 07/13/06

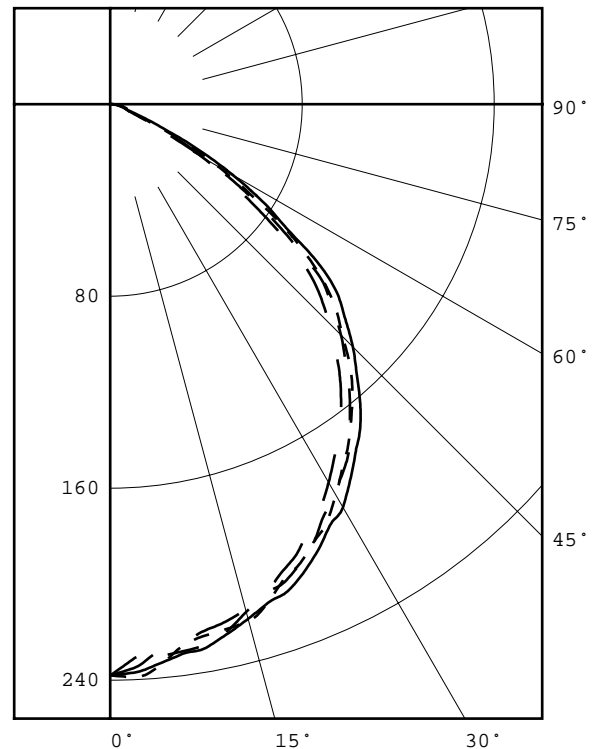
CANDELA DISTRIBUTION					FLUX
	0.0	90.0	180.0	270.0	
0	238	238	238	238	
5	235	234	231	229	22
15	223	222	219	218	62
25	201	205	201	195	93
35	173	178	174	167	108
45	137	143	136	129	105
55	87	89	81	73	75
65	22	27	19	16	23
75	7	7	6	6	7
85	3	3	2	2	3
90	0	0	0	0	

ZONAL LUMEN SUMMARY			
ZONE	LUMENS	%LAMP	%FIXT
0- 30	177	29.5	35.6
0- 40	285	47.5	57.4
0- 60	464	77.4	93.6
0- 90	496	82.7	100.0
90-180	0	0.0	0.0
0-180	496	82.7	100.0

TOTAL LUMINAIRE EFFICIENCY = 82.7 %

CIE TYPE - DIRECT
 PLANE : 0-DEG 90-DEG 180-DEG
 SPACING CRITERIA : 1.2 1.2 1.2
 LUMINOUS DIAMETER: 5.500

LUMINANCE DATA IN CANDELA/SQ METER			
ANGLE IN DEG	AVERAGE 0-DEG	AVERAGE 90-DEG	AVERAGE 180-DEG
45	12636.	13189.	12543.
55	9892.	10119.	9210.
65	3395.	4167.	2932.
75	1764.	1764.	1512.
85	2245.	2245.	1497.



LEGEND:
 0-deg: - - - - -
 90-deg: _____
 180-deg: - - - - -
 270-deg: - - - - -

Checked
Approved

REPORT NUMBER: 1447
PREPARED FOR: Progress Lighting

DATE: 07/13/06

ZONAL LUMEN SUMMARY

0- 5	6.
5- 10	16.
10- 15	27.
15- 20	36.
20- 25	43.
25- 30	49.
30- 35	53.
35- 40	55.
40- 45	54.
45- 50	51.
50- 55	43.
55- 60	31.
60- 65	16.
65- 70	6.
70- 75	4.
75- 80	3.
80- 85	2.
85- 90	1.

REPORT NUMBER: 1447

DATE: 07/13/06

PREPARED FOR: Progress Lighting

COEFFICIENTS OF UTILIZATION - ZONAL CAVITY METHOD

EFFECTIVE FLOOR CAVITY REFLECTANCE 0.20

RC	80				70				50			30			10			0
RW	70	50	30	10	70	50	30	10	50	30	10	50	30	10	50	30	10	0
0	99	99	99	99	97	97	97	97	92	92	92	88	88	88	85	85	85	83
1	92	89	86	84	90	87	85	82	84	82	80	81	79	77	78	76	75	73
2	85	80	75	71	83	78	74	70	75	72	69	73	70	67	70	68	66	64
3	79	71	66	61	77	70	65	60	68	63	59	66	62	58	64	60	58	56
4	73	64	58	53	71	63	57	53	61	56	52	59	55	51	58	54	51	49
5	67	58	51	46	66	57	51	46	55	50	46	54	49	45	52	48	45	43
6	63	53	46	41	61	52	46	41	50	45	41	49	44	40	48	43	40	38
7	58	48	41	37	57	47	41	37	46	40	36	45	40	36	44	39	36	34
8	54	44	37	33	53	43	37	33	42	37	33	41	36	32	40	36	32	31
9	51	40	34	30	50	40	34	30	39	34	30	38	33	29	37	33	29	28
10	48	37	31	27	47	37	31	27	36	31	27	35	30	27	35	30	27	25

ALL CANDELA, LUMENS, LUMINANCE, COEFFICIENT OF UTILIZATION AND VCP VALUES IN THIS REPORT ARE BASED ON RELATIVE PHOTOMETRY WHICH ASSUMES A BALLAST FACTOR OF 1.000. ANY CALCULATIONS PREPARED FROM THESE DATA SHOULD INCLUDE AN APPROPRIATE BALLAST FACTOR.